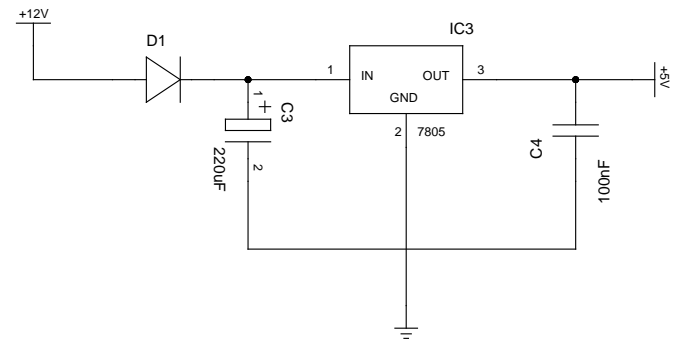
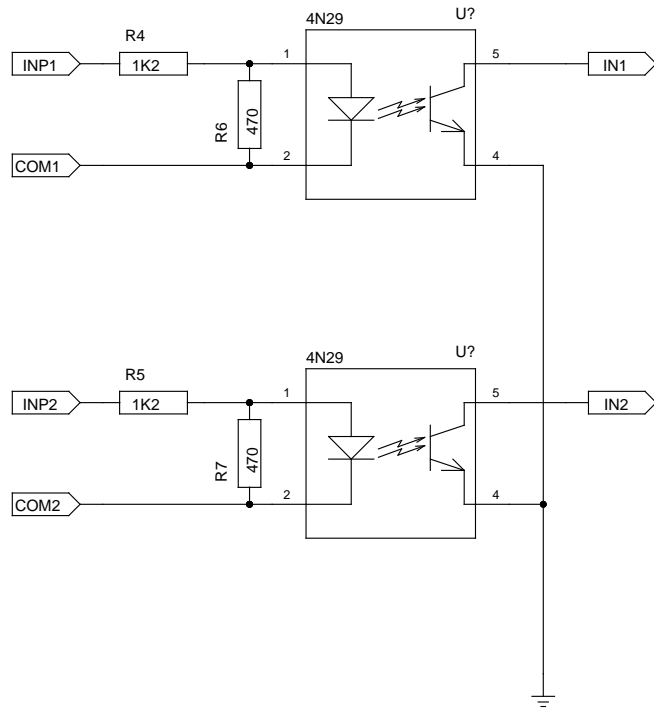
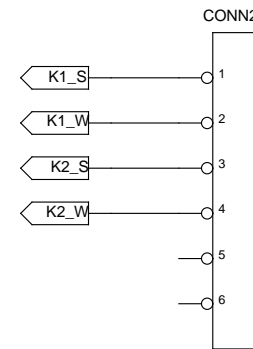
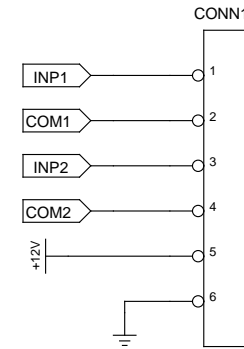
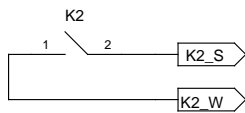
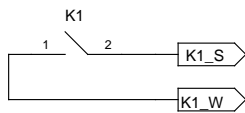
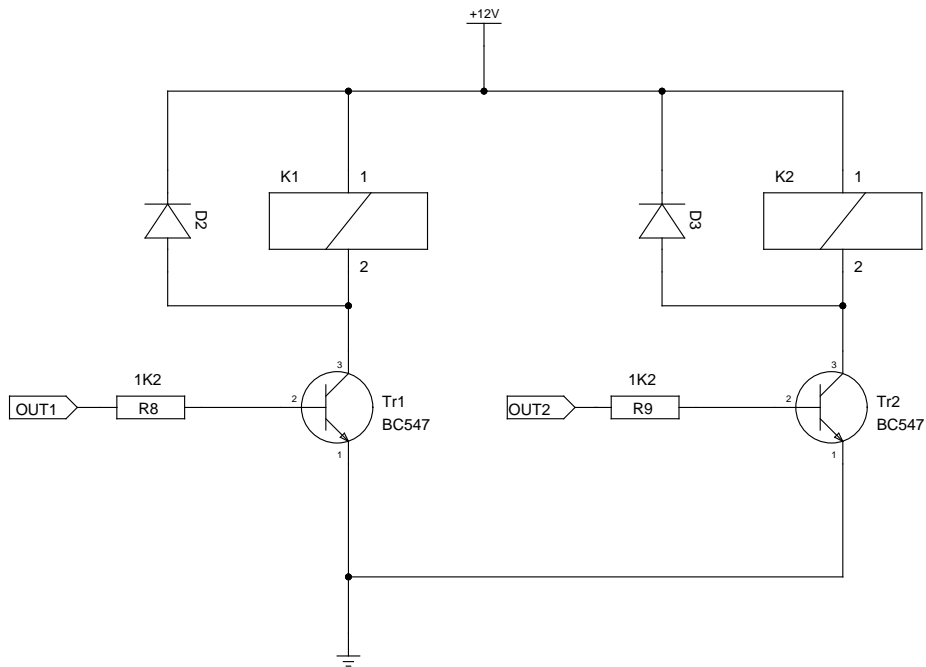


TITLE	RFM Relais Modul	
FILE:		REVISION:
PAGE	OF	DRAWN BY: Christian Dietrich

Use Internal PullUps



TITLE RFM Relais Modul		REVISION:
FILE:	OF	DRAWN BY: Christian Dietrich



TITLE RFM Relais Modul		
FILE:		REVISION:
PAGE	OF	DRAWN BY: Christian Dietrich